



Mofa-Teile, Sattel Saccochen Pièces de cyclomoteur, selle Saccochen

75



Art.-Nr. **93.T534100** Ref VP sFr **51.20**



Art.-Nr. **93.T234335** Ref VP sFr **85.20**



Art.-Nr. **95.188027** Ref VP sFr **60.00**




Art.-Nr. **95.271049** Ref VP sFr **99.20**



Art.-Nr. **95.813822** Ref VP sFr **126.40**




Art.-Nr. **96.VM 416.00** Ref VP sFr **20.00**



Art.-Nr. **75.122** Ref VP sFr **10.40**



Art.-Nr. **75.130.1** Ref VP sFr **158.40**



Art.-Nr. **75.120** Ref VP sFr **4.65**



Art.-Nr. **76.500** Ref VP sFr **44.65**



Art.-Nr. **76.602** Ref VP sFr **95.85**



Art.-Nr. **93.T19395** Ref VP sFr **19.50**



Mofa-Teile, Federgabel Felgen Pièces, jantes de fourche à suspension

76

HERCULES
SACHS

Ø23 x 18 x 18 mm

Art.-Nr.	Ref	VP sFr
76.200	<input type="text"/>	14.25

HERCULES
SACHS

Art.-Nr.	Ref	VP sFr
76.300	<input type="text"/>	63.85

PUCH
SACHS

**A=17" 36Loch 45mm
B=19" 36Loch 48mm**

Art.-Nr.	Ref	VP sFr
76.101	A <input type="text"/>	41.60
76.103	B <input type="text"/>	91.20

HERCULES
SACHS

**A=16 cm Ø19/13mm
B=22 cm Ø19/13mm**

Art.-Nr.	Ref	VP sFr
76.87.2	A <input type="text"/>	12.65
76.87.2.0	B <input type="text"/>	12.65

HERCULES
SACHS

**A=Ø 24.1 x 460 mm
B=Ø 24.1 x 520 mm**

Art.-Nr.	Ref	VP sFr
76.87.10	A <input type="text"/>	31.85
76.87.11	B <input type="text"/>	31.85

HERCULES
SACHS

Art.-Nr.	Ref	VP sFr
76.87.7LI	<input type="text"/>	23.85

HERCULES
SACHS

Art.-Nr.	Ref	VP sFr
76.87.7RE	<input type="text"/>	23.85

HERCULES
SACHS

Art.-Nr.	Ref	VP sFr
76.87.9	<input type="text"/>	36.80

HERCULES
SACHS

Art.-Nr.	Ref	VP sFr
76.87.1	<input type="text"/>	30.40

HERCULES
SACHS

Art.-Nr.	Ref	VP sFr
76.87.3	<input type="text"/>	15.85

HERCULES
SACHS

**A=17"
B=19"**

Art.-Nr.	Ref	VP sFr
76.805	<input type="text"/>	120.00
76.800	<input type="text"/>	124.80

HERCULES
SACHS

19"

Art.-Nr.	Ref	VP sFr
76.806	<input type="text"/>	200.00



Mofa-Teile, Ständer Pièces de cyclomoteur, béquilles

76

NHW 621



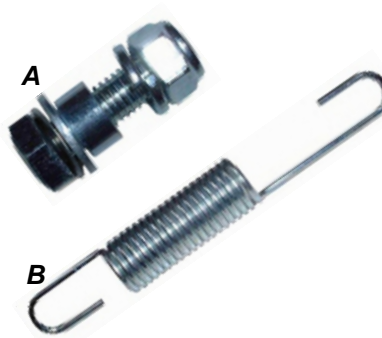
Art.-Nr. **76.41** Ref VP sFr **75.20**

HERCULES




A=LUX 260mm
B=CROSS 280mm

Art.-Nr. **76.41.1** A Ref VP sFr **74.90**
Art.-Nr. **76.41.2** B Ref VP sFr **72.00**



A
B

Art.-Nr. **76.46** A Ref VP sFr **4.75**
Art.-Nr. **76.41.5** B Ref VP sFr **5.00**

ALFA



Art.-Nr. **76.41.3** Ref VP sFr **63.85**

SACHS **PONY**
CROSS GTX



A=GTX 230mm
B=Cross 260mm

Art.-Nr. **97.P1776** A Ref VP sFr **88.00**
Art.-Nr. **97.P1770** A Ref VP sFr **82.40**

PONY
CROSS GTX **Beta**



Art.-Nr. **97.P8003S** Ref VP sFr **111.85**

PONY **PIAGGIO**



Art.-Nr. **97.P8003** Ref VP sFr **94.40**

PONY
CROSS GTX **Beta & SACHS**



Art.-Nr. **97.P8004** Ref VP sFr **11.05**

PIAGGIO
SI



Art.-Nr. **95.185869** Ref VP sFr **41.45**

PIAGGIO Ø10mm



A

Art.-Nr. **95.104631** Ref VP sFr **43.05**
Art.-Nr. **95.104629** A Ref VP sFr **11.55**

PIAGGIO Ø14mm



Art.-Nr. **95.255230.I** Ref VP sFr **33.45**

PIAGGIO
Ciao



Art.-Nr. **95.255230.S** Ref VP sFr **21.60**



Mofa-Teile, Ständer Pièces de cyclomoteur, béquilles

76




PIAGGIO
SIPTT

Art.-Nr. Ref VP sFr
95.265695 **146.40**
95.161157 **5.60**



Bravo

Art.-Nr. Ref VP sFr
95.139169 **60.80**



TOMOS


Art.-Nr. Ref VP sFr
93.T519370 **34.40**
93.T516169 A **3.20**



TOMOS

Art.-Nr. Ref VP sFr
93.T519371 **85.60**
93.T193690 A **9.00**

verstärkt



PUCH

Art.-Nr.	Ref	VP sFr
96.VM 556.0030	165mm	60.80
96.SM 524.0030 K	165mm	46.40
96.VM 576.0030	205mm	65.60
96.SM 525.0030 K	205mm	67.20
96.VL 572.0030	225mm	63.85
96.ME 069.00	A	4.50

K=Kat Modelle



PUCH

Art.-Nr. Ref VP sFr
96.VM 576.0030.S **32.80**



PUCH

Art.-Nr. Ref VP sFr
96.SM 525.0050 **85.60**



PUCH
X 30

Art.-Nr. Ref VP sFr
96.VA 524.00 **72.00**



DUCE

30 kmh

Art.-Nr. Ref VP sFr
92.720790 **118.40**



DUCE

45 kmh

Art.-Nr. Ref VP sFr
92.720800 **83.20**



DUCE

Art.-Nr. Ref VP sFr
92.720795 **108.80**



Mofa-Teile, Benzinhahnen und Filter Pièces, robinets d'essence et filtres

77

PONY
 TOMOS CROSS GTX

Art.-Nr. **77.44** Ref VP sFr **5.80**

PONY
 TOMOS CROSS GTX

Art.-Nr. **77.45** Ref VP sFr **2.90**

PONY
 TOMOS CROSS GTX

Art.-Nr. **77.46** Ref VP sFr **14.25**

PONY
 TOMOS CROSS GTX

Art.-Nr. **77.48** Ref VP sFr **6.40**

Roller Scooter

Art.-Nr. **77.50** Ref VP sFr **5.60**

A=Ø 5/8 mm 10m
B=Ø 6/9 mm 10m

PONY
 TOMOS CROSS GTX

Art.-Nr. **77.52** Ref VP sFr **17.45**
77.55 **B** **20.80**

Ø 5/9 mm 5m

PONY
 TOMOS CROSS GTX

Art.-Nr. **77.54** Ref VP sFr **12.75**

A **B**

Art.-Nr. **77.950** Ref VP sFr **3.20**
92.720312 **B** **3.05**

A=12mm
B=16mm

Art.-Nr. **77.115.6** Ref VP sFr **39.20**
77.115.7 **B** **40.80**

Art.-Nr. **77.205** Ref VP sFr **15.20**
97.P8068 **15.20**

Maxi N + S

Art.-Nr. **77.20** Ref VP sFr **12.60**

Universal

Art.-Nr. **77.210** Ref VP sFr **15.20**
77.211 **Ø8mm** **15.85**



Mofa-Teile, Benzinhahnen Tankdeckel Pièces, robinets d'essence bouchons

77

TOMOS



Art.-Nr. **93.T229119** Ref VP sFr **13.60**

Piaggio Ciao



Art.-Nr. **95.257073** Ref VP sFr **9.85**

Piaggio



Art.-Nr. **95.254724** Ref VP sFr **12.00**

BYE BIKE



Art.-Nr. **92.720309** Ref VP sFr **79.70**

BYE BIKE



Art.-Nr. **92.720311** Ref VP sFr **102.25**

Umrüstkit




Art.-Nr. **92.720310** Ref VP sFr **78.40**

BYE BIKE



Art.-Nr. **92.720314** Ref VP sFr **76.65**

PUCH **Piaggio**



Ø 10.5 / 8.5 x 1 mm

Art.-Nr. **96.VM 209.30** Ref VP sFr **0.90**

GUIDE WIN **DKW** **HERCULES**



SACHS **PUCH** **PONY** **ALPHA**
CROSS GTX

Art.-Nr. **77.1** Ø30mm Ref VP sFr **11.05**
Art.-Nr. **77.2** Ø40mm Ref VP sFr **25.60**

GUIDE WIN **DKW** **HERCULES**



SACHS **PUCH** **PONY** **ALPHA**
CROSS GTX

Art.-Nr. **77.1SCH** Ø30mm Ref VP sFr **08.80**

GUIDE WIN



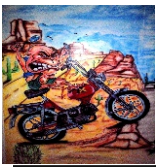
HERCULES **ALPHA**
DKW **SACHS** **PUCH** **PONY**
CROSS GTX

Art.-Nr. **77.3** Ø30mm Ref VP sFr **17.40**
Art.-Nr. **77.3** Ø40mm Ref VP sFr **17.60**

PUCH **Maxi N + S**



Art.-Nr. **77.6.1** Ref VP sFr **13.15**



Mofa-Teile, Benzinhahnen Tankdeckel Pièces, robinets d'essence bouchons

77

 **Piaggio Ciao**



Art.-Nr. **77.0** Ref VP sFr **15.85**

 **Piaggio SI**



Art.-Nr. **77.00** Ref VP sFr **51.20**

 **Piaggio Ciao**



Art.-Nr. **95.026320** Ref VP sFr **34.90**

 **Piaggio Ciao**



Art.-Nr. **95.270586** Ref VP sFr **9.95**

 **Piaggio SI**



ohne Messstab

Art.-Nr. **95.298988** Ref VP sFr **15.85**



für Kunststoffank

Art.-Nr. **97.P8040** Ref VP sFr **18.40**



für Kunststoffank

Art.-Nr. **97.P8045** Ref VP sFr **34.40**

 **Puch Maxi N + S**



****=ohne Emblem**

Art.-Nr. **96.VM 415.00** Ref VP sFr **14.35**
96.VM 415.00.I Ref VP sFr **** 3.10**





Alu

Art.-Nr. **96.VM 415.00.C** Ref VP sFr **44.50**





Art.-Nr. **93.T193710** Ref VP sFr **21.60**





Art.-Nr. **92.720302** Ref VP sFr **23.85**





Art.-Nr. **92.720315** Ref VP sFr **60.65**



Mofa-Teile, Pneus + Schläuche

Pièces mofa, Pneus + Chambre à air

78

Art. - Nr.	Grösse		Profil	Marke	Ref	VP. CH-Fr.
P08000	2.00 - 16		A	HUTCHINSON	P08002390	38.25
P08200	2.25 - 16		H	FORTUNE	P08201700	27.20
P08029	2.25 - 16	weisse Schrift	B	FORTUNE	P08291850	29.60
P08029F	2.25 - 16		C	FORTUNE	P08291590	25.45
P08029SCH	2.25 - 16		M4	HEIDENAU	P08292370	37.95
P08032	2.25 - 16	Slik ****	MC2	MITAS	P08322700	43.20
P08029WW	2.25 - 16	Weisswand	K252	KENDA	P08294200	67.20
P08074	2.25 - 16		KKS10	Continental	P08743190	51.10
P08030	2.50 - 16		K30	HEIDENAU	P08302890	46.25
P2130	2.50 - 16		K36/1	HEIDENAU	P08303250	52.00
P08250	2.50 - 16		H	FORTUNE	P08251990	31.85
P08033	2.50 - 16	Slik ****	MC2	MITAS	P08333300	52.80
P08035	2.50 - 16		F	FORTUNE	P08351550	24.80
P08039	2.75 - 16		K32	HEIDENAU	P08393150	50.40
P08065	2.75 - 16	Slik	K55	HEIDENAU	P08655250	84.00
P08066	2.75 - 16		K36/1	HEIDENAU	P08664600	73.60
P08075	2.50/2.75 - 16		K52	HEIDENAU	P08753400	54.40
**** Restbestand						
P08040	2.00 - 17		C	FORTUNE	P08401550	24.80
P08043	2.00 - 17		KKS10	Continental	P08432850	45.60
P08042	2.00 - 17	Slik	MC11	MITAS	P08422550	40.80
P08300	2.25 - 17		H	FORTUNE	P08301750	28.00
P08044	2.25 - 17	weisse Schrift	B	FORTUNE	P08441950	31.20
P08044D	2.25 - 17		D776	Deestone	P08441960	31.40
P08044F	2.25 - 17		C	FORTUNE	P08441690	27.05
P08044SCH	2.25 - 17		M4	HEIDENAU	P08442415	38.65
P08047	2.25 - 17	Slik	MC11	MITAS	P08443900	62.40
P08044WW	2.25 - 17	Slik Weisswand	MC11	MITAS	P08445190	83.15
P08048	2.50 - 17	Slik	K56	HEIDENAU	P08482600	41.60
P08049	2.50 - 17	Slik	MC11	MITAS	P08494690	75.05
P08046	2.50 - 17		KKS10	Continental	P08463390	54.25
P08050	2.75 - 17		K36/1	HEIDENAU	P08502900	46.40
P08051	2.75 - 17	Slik	K56	HEIDENAU	P08513300	52.80
P08053	2.75 - 17		K46	HEIDENAU	P08533900	62.40
P08054	2.75 - 17	Slik	MC11	MITAS	P08544900	78.40
**** Restbestand						
P08055	2.00 - 19		E	FORTUNE		
P08055HEI	2.00 - 19		K36/1	NYLON/HEIDENAU		
P08055CON	2.00 - 19		KKS10	Continental	P08553300	82.50
P08055WW	2.00 - 19	Weisswand	KKS10	Continental	P08553600	57.60
P08058	2.25 - 19		KKS10	Continental	P08553650	58.40
P08057	2.25 - 19	Weisswand	KKS10	Continental	P08553990	63.85
P08084	2.50 - 19		KKS10	Continental	P08554450	71.20
P08060	1.75 - 19	SOLEX	G	FORTUNE	P08551880	30.10





Mofa-Teile, Pneus + Schläuche Pièces mofa, Pneus + Chambre à air

78

Top Quality



K30

HEIDENAU

Profil K30

Top Quality



K32

HEIDENAU

Profil K32

Top Quality



K36/1

HEIDENAU

Profil K36/1

Top Quality



K46

HEIDENAU

Profil K46

Top Quality



K52

HEIDENAU

Profil K52

Top Quality



K55

HEIDENAU

Profil K55

Top Quality



K56

HEIDENAU

Profil K56

Top Quality



K58

HEIDENAU

Profil K58

Top Quality



KKS 10

Continental

Profil KKS10

Top Quality



KKS 10

Continental

Profil KKS10

Tr4 GV 16/17 x 2-2 1/2



FORTUNE

Art.-Nr.	Ref	VP sFr
S08052F GV	<input type="text"/>	7.70
S08053F TR4	<input type="text"/>	7.70

Tr4 19 x 2-2 1/2



FORTUNE

Art.-Nr.	Ref	VP sFr
S08055 TR4	<input type="text"/>	7.95



Mofa-Teile, Schläuche Nr.-Platten Pièces de cyclomoteur, durites Plaques n°

79

Top Quality 2-2 1/2

HEIDENAU
Partner mit Profil
Schlauch / Tube

Art.-Nr.	Ref	VP sFr
S08052HEI 16"	<input type="text"/>	15.05
S08053HEI 17"	<input type="text"/>	15.40
S08055HEI 19"	<input type="text"/>	19.05

2-2 3/4

Continental
Moped - Schlauch
Moped Inner Tube

Art.-Nr.	Ref	VP sFr
S09305 16"	<input type="text"/>	14.25
S09302 17"	<input type="text"/>	14.25

Art.-Nr.	Ref	VP sFr
79.60.5	<input type="text"/>	2.25

SACHS **PUCH** **PIAGGIO** **HERCULES** **PONY** **TOMOS**

Art.-Nr.	Ref	VP sFr
79.45.1	<input type="text"/>	7.85

SACHS **PUCH** **PIAGGIO** **HERCULES** **PONY** **TOMOS**

Art.-Nr.	Ref	VP sFr
79.45.2	<input type="text"/>	15.20

SACHS **PUCH** **PIAGGIO** **HERCULES** **PONY** **TOMOS**

Art.-Nr.	Ref	VP sFr
79.45	<input type="text"/>	11.55

Art.-Nr.	Ref	VP sFr
79.80	<input type="text"/>	9.45

M6 x 15 mm

Art.-Nr.	Ref	VP sFr
79.80.1	<input type="text"/>	0.40

Art.-Nr.	Ref	VP sFr
79.81	<input type="text"/>	6.90

Art.-Nr.	Ref	VP sFr
79.82	<input type="text"/>	7.05

Art.-Nr.	Ref	VP sFr
79.199	<input type="text"/>	4.00


Art.-Nr.	Ref	VP sFr
79.200	<input type="text"/>	6.25




Mofa-Teile, Kleber Tachoantrieb Pièces, Entraînement pour comp. Plaques n° **79**




Art.-Nr. **79.201** Ref VP sFr **4.00**




Art.-Nr. **79.202** Ref VP sFr **6.25**




Art.-Nr. **79.203** Ref VP sFr **3.20**



Art.-Nr. **79.205** Ref VP sFr **4.20**



Art.-Nr. **79.210** Ref VP sFr **3.20**



Art.-Nr. **79.215** Ref VP sFr **3.20**



Art.-Nr. **79.100** Ref VP sFr **5.60**




Art.-Nr. **79.101** Ref VP sFr **7.95**



Art.-Nr. **80.147** Ref VP sFr **28.65**



Art.-Nr. **80.152** Ref VP sFr **29.60**



Art.-Nr. **80.150** 16" Ref VP sFr **28.65**
97.P0561 17" Ref VP sFr **36.65**
80.153 19" Ref VP sFr **22.10**



Art.-Nr. **95.114744.1** Ref VP sFr **31.85**



Mofa-Teile, Tacho Tachoantrieb VDO Veglia Pièces, Entraînement pour comp.

80

PIAGGIO ab 1999

Art.-Nr. **95.274958** Ref VP sFr **62.25**

TOMOS

Art.-Nr. **93.T33150** Ref VP sFr **30.25**

VEE BIRE

Art.-Nr. **92.720866** Ref VP sFr **29.60**

Art.-Nr. **97.P9050** Ref VP sFr **1.40**

Hülse von 1.75 mm auf 2.55 mm

Art.-Nr. **80.154** Ref VP sFr **1.80**

PONY SWISS MADE vierkant 2.55 mm

Art.-Nr. **97.P0559** Ref VP sFr **20.20**

SACHS **PUCH**

Art.-Nr.	Länge	Ref	VP sFr
80.500	500mm	<input type="text"/>	5.15
80.550	550mm	<input type="text"/>	5.15
80.600	600mm	<input type="text"/>	5.15
80.650	650mm	<input type="text"/>	5.15
80.700	700mm	<input type="text"/>	5.15
80.750	750mm	<input type="text"/>	5.15
80.800	800mm	<input type="text"/>	5.15
80.850	850mm	<input type="text"/>	5.15
80.900	900mm	<input type="text"/>	5.15
80.950	950mm	<input type="text"/>	5.60

PIAGGIO bis 1999

Art.-Nr.	Länge	Ref	VP sFr
95.186324	750	<input type="text"/>	17.15
95.187423	800	<input type="text"/>	17.30

PIAGGIO ab 1999

Art.-Nr. **95.274959** Ref VP sFr **14.35**

VEE BIRE

Art.-Nr.	Ref	VP sFr
92.720863	ONE <input type="text"/>	25.45
92.720869	RETRO <input type="text"/>	15.95

Ø 48 mm

Art.-Nr.	Ref	VP sFr
80.110	<input type="text"/>	69.60
97.P8280	<input type="text"/>	76.80



Mofa-Teile, Tacho Tachoantrieb VDO Veglia Pièces, Entraînement pour comp.

80

Ø 60 mm

Art.-Nr. **80.112** Ref VP sFr **67.20**
97.P0551 080104000 **64.00**

Art.-Nr. **92.720865** Ref VP sFr **73.45**

Ø 60 mm

Art.-Nr. **92.720868** Ref VP sFr **74.40**

TOMOS

Art.-Nr. **93.T256240** Ref VP sFr **31.95**

PONY **BETA**

Art.-Nr. **97.P0897** Ref VP sFr **7.85**

PONY **BETA**

Art.-Nr. **97.P8982** Ref VP sFr **15.85**

PONY **BETA**

Art.-Nr. **97.P0902** Ref VP sFr **10.90**

PONY **BETA**

Art.-Nr. **97.P8271** Ref VP sFr **7.20**

PONY **BETA**

Art.-Nr. **97.P82775** Ref VP sFr **18.90**

HJC HELMETS

Finden Sie Seite 648 - 651

Nicht ECE geprüft!
RetroBIKE HUT


MARTIAL MC-24



Mofa-Teile, Seitenspiegel Pièces de cyclomoteur, rétroviseurs latéraux


81

bm
BUSCH + MÜLLER



Art.-Nr. **81.493** *Schwarz* Ref VP sFr **20.65**
81.493C *Chrom* **25.60**

Imitation



Art.-Nr. **81.500** Ref VP sFr **8.80**

bm
BUSCH + MÜLLER



Art.-Nr. **81.494** Ref VP sFr **19.05**

bm
BUSCH + MÜLLER



Art.-Nr. **81.494C** *Chrom* Ref VP sFr **23.20**



Art.-Nr. **81.495** Ref VP sFr **2.95**

bm
BUSCH + MÜLLER
links



Art.-Nr. **81.498** Ref VP sFr **44.65**

bm
BUSCH + MÜLLER
rechts



Art.-Nr. **81.499** Ref VP sFr **44.65**

bm
BUSCH + MÜLLER
links



Art.-Nr. **81.496** Ref VP sFr **30.40**

bm
BUSCH + MÜLLER
rechts



Art.-Nr. **81.497** Ref VP sFr **30.40**

links oder rechts



Art.-Nr. **81.505** Ref VP sFr **37.60**

TOMOS *rechts*



Art.-Nr. **93.T263695** Ref VP sFr **50.40**

WYLE BIRD



Art.-Nr. **92.720950** *links* Ref VP sFr **40.00**
92.720951 *rechts* **47.60**



Mofa-Teile, Windschutzscheibe Wetterschutz

Pièces cyclomoteur, protection pare-brise

81

AMS

Art.-Nr. **81.101** Ref VP sFr **134.40**

AMS

Art.-Nr. **81.105** Ref VP sFr **78.40**

AMS

Art.-Nr. **81.106.1** Ref VP sFr **22.25**

AMS

Art.-Nr. **81.106** Ref VP sFr **31.85**

AMS

Art.-Nr. **81.107** Ref VP sFr **25.45**

Handschützer

Art.-Nr. **81.185** Ref VP sFr **67.20**

Art.-Nr. **81.200L** Ref VP sFr **8.80**
81.200XL Ref VP sFr **12.65**

Schutzhülle

A=L203 x H120 x B83 cm
B=L246 x H127 x B105 cm
C=L270 x H130 x B100 cm

Art.-Nr. **81.190** Ref VP sFr **61.60**
81.191 Ref VP sFr **63.20**
81.192 Ref VP sFr **67.20**

Art.-Nr. **1.705000** L/M Ref VP sFr **79.85**
1.707000 XL Ref VP sFr **76.80**

Art.-Nr. **1.710000** Ref VP sFr **78.40**

Schutzhülle

L200 x x H100 cm

Art.-Nr. **81.180** Ref VP sFr **10.90**

Schutzhülle

L210 x x H110 cm

Art.-Nr. **81.182** Ref VP sFr **28.65**




Art.-Nr.	Artikel	VP sFr.
82.216	608 2 BRS Ø 22/8x7 mm	8.96
14.1976	608 2 RS 22x8x7 mm	7.20
14.1987	688 2 RS Ø 16/8x5 mm	8.80
97.A8050	6002-C3 Ø15/32x9 mm	22.35
97.A8051	6004-C3 Ø 42/20x12 mm	30.10
93.T035037	6006 Ø 55/30x13 mm	23.20
82.219	6200 2 RSR Ø 30/10x9 mm	14.08
82.204	6201 2 RSR GN Ø 32/12x10 mm	12.00
92.720046	6201 C3 Ø 32/12x10	12.50
97.A5604	6201 Ø 32/12x10 mm	12.00
82.210	6202 2 RSR Ø 35/15x11 mm	15.20
82.202-C3	6202 C3 Ø 35/15x11 mm	12.00
82.202	6202 Ø 35/15x11 mm	10.40
82.211	6203 2 RSR Ø 40/17x12 mm	12.64
82.201-C3	6203 C3 NR Ø 40/17x12 mm	15.20
92.720045	6203 C3 Ø 40/17x12 mm	13.60
82.200	6203 Ø40/17x12 mm	12.00
82.223	6204 2 RSR Ø 47/20x14 mm	18.72
92.091112	6204-C4 Ø 47/20x14 mm	13.80
82.213	6205 2 RSR Ø 52/25x15 mm	17.60
82.226	6300 2 RSR Ø 35/10x11 mm	15.92
82.222	6301 2 RSR Ø 37/12x12 mm	16.80
82.207	6302 2 RSR Ø 42/15x13 mm	18.40
82.212	6303 2 RSR Ø 47/17x14 mm	20.16
97.A8093	6303/C3 Ø 47/17x14 mm	20.00
82.217	6304 2 RSR Ø 52/20x15 mm	17.84
97.A8094	6304/C3 Ø 52/20x15 mm	36.00
82.224	6305 2 RSR Ø 62/25x17 mm	27.84
14.1981	6801 2 RS Ø 21/12x5 mm	12.00
14.1982	6802 2 RS Ø 24/15x5 mm	12.00
82.230	6802 2 RSR Ø 24/15 x 5 mm	28.72
82.6805	6805 2 RSR Ø 37/25 x 7 mm	39.20
14.2007	6806 2 RS Ø 30/42x7 mm	28.80
82.6903	6903 2 RSR Ø 30/17 x 7 mm	28.00
82.7001	HK 2512 (Ø32/25 x 12 mm)	14.08
82.7000	HK1620.2RS	21.60
82.240	Ø 12/29 x 9 mm	14.08
82.500	Ø 35/25 x 29.8 mm	35.20
82.245	R8 VV Ø 12.7/28.6 x 7.9mm ABEC- Schulterlager	15.92
82.205	B015 TVP Ø 40/15x10 mm Kunstst	35.20
82.205.1	B015 TVP Ø 40/15x10 mm Messing	37.60
82.220	BO17TVP Ø 44/17x11 mm Kunstst	43.20
82.220M	BO17TVP Ø 44/17x11 mm Messing	0.00
97.A1149	E 15 M Ø 35x15x8 mm Messingkä	31.70
82.208	E20 TVP Ø 47/20x12 mm Messingh	44.80
82.206	L17 Y Ø 40/17x10mm Messingkäfi	24.80



Mofa-Teile, Bremsbackem Lagerschalen Pièces coquilles roulements mâchoires frein

83


PUCH **NEWFREN**



Leleu Nabe
Art.-Nr. Ref VP sFr **14.10**

Art.-Nr. **83.300**

PUCH **NEWFREN**



SACHS **PONY**
CROSS GTX
Art.-Nr. Ref VP sFr **14.10**

Art.-Nr. **83.1105**


PUCH **NEWFREN**



Grimeca Nabe
Art.-Nr. Ref VP sFr **15.20**

Art.-Nr. **96.SM 603.00**


PIAGGIO **NEWFREN**



Speichenrad Rücktritt
Art.-Nr. Ref VP sFr **14.10**

Art.-Nr. **98.1113**

PIAGGIO **NEWFREN**



Gussrad TOMOS A35
Art.-Nr. Ref VP sFr **15.70**

Art.-Nr. **95.414497**

PIAGGIO **NEWFREN**



SI PTT / Grillo vorne
Art.-Nr. Ref VP sFr **27.05**

Art.-Nr. **95.414569**

PIAGGIO **NEWFREN**



hinten
Art.-Nr. Ref VP sFr **12.00**

Art.-Nr. **95.414557**


BYE BURE **NEWFREN**



vorne + hinten
Art.-Nr. Ref VP sFr **18.40**

Art.-Nr. **98.1105**

SACHS **PUCH** **PIAGGIO** **PONY**
CROSS GTX



Art.-Nr. Ref VP sFr **7.95**
83.251 Ø 25

Art.-Nr. Ref VP sFr **5.85**
83.250 Ø 30

PONY
CROSS GTX



Art.-Nr. Ref VP sFr **7.85**

Art.-Nr. **97.P8351**


PONY
CROSS GTX



Art.-Nr. Ref VP sFr **6.60**

Art.-Nr. **97.P8926**

PONY
CROSS GTX



Art.-Nr. Ref VP sFr **4.50**

Art.-Nr. **98.4789**



Mofa-Teile, Bremsbackem Lagerschalen Pièces coquilles roulements mâchoires frein

83

Art.-Nr.	Ref	VP sFr
97.P8352 Ø32	<input type="text"/>	12.75

Art.-Nr.	Ref	VP sFr
97.F5204 Ø30	<input type="text"/>	10.40
96.VM 236.40 Ø32	<input type="text"/>	7.80
97.P8345 Ø32	<input type="text"/>	7.85

**=mit Filz
A=für Ø 30 mm Schalen
B=für Ø 32 mm Schalen

Art.-Nr.	Ref	VP sFr
97.F5202 Ø26 A	<input type="text"/>	2.20
97.F5106 Ø28 B	<input type="text"/>	2.00
97.F5105 Ø28 B	<input type="text"/>	** 15.70

A=Ø 29/13 x 10.5 mm
B=Ø 29/15 x 10.5 mm

Art.-Nr.	Ref	VP sFr
96.VM 217.10 A	<input type="text"/>	5.30
96.VM 215.10 B	<input type="text"/>	5.60

A=Ø 29.2 / 21 x 0.4 mm
B=Ø 29.2 / 18.5 x 0.4 mm

Art.-Nr.	Ref	VP sFr
96.VM 216.40 A	<input type="text"/>	3.85
96.VM 214.40 B	<input type="text"/>	3.50

Art.-Nr.	Ref	VP sFr
96.SM 709.00	<input type="text"/>	5.60

Art.-Nr.	Ref	VP sFr
82.203 6001	<input type="text"/>	11.05
82.204 6201	<input type="text"/>	12.00

M11 x 1 mm

Art.-Nr.	mm	Ref	VP sFr
83.10.1	220	<input type="text"/>	22.40
97.F5108	145	<input type="text"/>	37.60

M11 x 1 mm

Art.-Nr.	mm	Ref	VP sFr
97.P8373	150	<input type="text"/>	47.85
95.114410	152	<input type="text"/>	25.45
96.VM 019.00	156	<input type="text"/>	24.80
95.186524	165	<input type="text"/>	26.40

M12 x 1 mm

Art.-Nr.	mm	Ref	VP sFr
96.VL 052.00	156	<input type="text"/>	29.70
96.VM 024.00	180	<input type="text"/>	14.35
96.VL 055.00	210	<input type="text"/>	23.85

Art.-Nr.	Ref	VP sFr
97.P8358	<input type="text"/>	14.25

Art.-Nr.	Ref	VP sFr
97.P8387	<input type="text"/>	9.30



Mofa-Teile, Achse Konus Mutter Pièces, écrou de cône d'essieu

83

SACHS PUCH
Rücktrittachse
M10.5x175mm

Art.-Nr. **97.F5280** Ref VP sFr **48.80**
97.F1003 A **5.95**
97.F1004 B **12.00**

SACHS PUCH X30

Rücktrittnabe

Art.-Nr. **97.F1968** Ref VP sFr **47.85**

M12 x 1 mm Ø 20 x 14.5 mm

Art.-Nr. **96.VM 216.30** Ref VP sFr **8.80**

M11 x 1 mm

Ø 19 x 12 mm

Art.-Nr. **95.114411** Ref VP sFr **10.75**
97.P8357 **12.00**
96.SM 643.00 **10.75**
97.F5104 **6.90**

Art.-Nr. **96.VM 214.30** Ref VP sFr **7.50**
 Ø 18 x 13.5 mm

Art.-Nr. **97.F1003** M10.5x1 Ref VP sFr **5.95**
95.114415 M11x1 **2.35**
96.NM 702.20 M12x1 **5.95**
97.P8377 M12x1.25 **3.20**

A=M11 x 1 x 5 mm SW 16 mm
 B=M 11 x 1 x 6 mm SW 24
 C=M 12 x 1 x 7 mm SW 19

Art.-Nr. **96.VM 214.20** A Ref VP sFr **1.95**
96.VM 235.40 B **1.55**
96.VL 223.10 C **3.70**

Art.-Nr. **95.114412** 11 Ref VP sFr **4.00**
96.VL 222.30 12 **1.40**

Art.-Nr. **95.114413** Ref VP sFr **3.20**

SACHS HERCULES ALPA

503 ABL-CH

PONY
CROSS GTX

Art.-Nr. **85.2.5** Ref VP sFr **9.95**

Imitation

SACHS HERCULES ALPA

503 ABL-CH

PONY
CROSS GTX

Art.-Nr. **85.2.10** 055 Ref VP sFr **7.20**
85.2.8 060 **9.50**

SACHS HERCULES ALPA

503 ABL-CH

PONY
CROSS GTX

Art.-Nr. **85.2.6** Ref VP sFr **10.90**



Mofa-Teile, Auspuffanlage + Teile

Pièces cyclomoteur, système d'échappement

85

HERCULES ALPA
SACHS =H=

PONY CROSS GTX

503 ABL-CH

Art.-Nr.	Ref	VP sFr
85.2.7	<input type="text"/>	11.05

HERCULES ALPA
SACHS =H=

PONY CROSS GTX

503 ABL+AB-CH Imitation

Art.-Nr.	Ref	VP sFr
85.2.4	<input type="text"/>	47.95

HERCULES ALPA
SACHS =H=

PONY CROSS GTX

503 AB + ADV-CH Imitation

Art.-Nr.	Ref	VP sFr
85.2.4.1	<input type="text"/>	31.95

HERCULES ALPA
SACHS =H=

PONY CROSS GTX

503 ABL-CH Imitation

Art.-Nr.	Ref	VP sFr
85.2.3	<input type="text"/>	94.40

ALPA HERCULES DKW
SACHS =H=

502

Art.-Nr.	Ref	VP sFr
85.2.4.2	<input type="text"/>	30.25

SACHS 502

Art.-Nr.	Ref	VP sFr
97.A1507	<input type="text"/>	18.40

SACHS

A=503ADV Ø 20 / 26 mm
B=503AB Ø 22 / 29 mm
C=535 Ø 26.3 / 32 mm

Art.-Nr.	Ref	VP sFr
97.A1821 A	<input type="text"/>	3.15
97.A5677 B	<input type="text"/>	2.40
97.A1810 C	<input type="text"/>	4.00

PONY CROSS GTX Beta

Sito Imitation

Art.-Nr.	Ref	VP sFr
85.0.30.1	<input type="text"/>	156.80

PONY CROSS GTX Beta

Sito

Art.-Nr.	Ref	VP sFr
85.0.30.1	<input type="text"/>	23.70

PONY CROSS GTX Beta

Imitation

Art.-Nr.	Ref	VP sFr
85.0.22	<input type="text"/>	376.00

PONY CROSS GTX Beta

Original

Art.-Nr.	Ref	VP sFr
97.P8180	<input type="text"/>	436.65

PONY CROSS GTX Beta

Original

Art.-Nr.	Ref	VP sFr
97.P8184	<input type="text"/>	111.85



Mofa-Teile, Auspuffanlage + Teile

Pièces cyclomoteur, système d'échappement

85

Cilo
512




Imitation

Art.-Nr.	Ref	VP sFr
85.0.30	<input type="text"/>	190.40

PONY
CROSS GTX




Sito

Imitation

Art.-Nr.	Ref	VP sFr
85.0.40	<input type="text"/>	159.20




Art.-Nr.	Ref	VP sFr
97.A8099	<input type="text"/>	7.95

TOMOS



Imitation

Art.-Nr.	Ref	VP sFr
85.0.50C chrom	<input type="text"/>	63.85
85.0.50.I schwarz	<input type="text"/>	81.60




Art.-Nr.	Ref	VP sFr
85.0.50H	<input type="text"/>	15.70



Ciao
mit 210227




Imitation

Art.-Nr.	mm	Ref	VP sFr
85.8	Ø 18.8	<input type="text"/>	95.85

Ciao
ohne 210227

Imitation

Art.-Nr.	mm	Ref	VP sFr
85.8.1	Ø 20	<input type="text"/>	81.60
85.8.2	Ø 20	<input type="text"/>	54.40
85.8.5	Ø 20	<input type="text"/>	72.00



Ciao
Sito Plus ohne 210227




Imitation

Art.-Nr.	mm	Ref	VP sFr
85.8.4	Ø 20	<input type="text"/>	79.85
85.8.3	Ø 24	<input type="text"/>	78.40

SI
ohne 171875

Imitation

Art.-Nr.	mm	Ref	VP sFr
85.9	Ø 19.5	<input type="text"/>	46.25
85.9.1	Ø 20.5	<input type="text"/>	67.20

SI
Sito Plus ohne 171875




Art.-Nr.	mm	Ref	VP sFr
85.9.2	Ø 25	<input type="text"/>	104.00

PUCH Maxi S 2 Teilig

A=Puchzeichen + Nr.
B=Puch-Nr.




Art.-Nr.	mm	Ref	VP sFr
85.5	Ø 22 A	<input type="text"/>	143.20
85.5.0	Ø 22 B	<input type="text"/>	77.20
85.5.5	Ø 22 A	<input type="text"/>	120.00

PUCH Maxi S 2 Teilig




Art.-Nr.	Ref	VP sFr
85.5.1	<input type="text"/>	41.60



Mofa-Teile, Auspuffanlage + Teile

Pièces cyclomoteur, système d'échappement

85

PUCH Maxi S + N



Art.-Nr. **85.5.2 Original** Ref VP sFr **41.60**
85.5.2.1 Imitation Ref VP sFr **15.95**

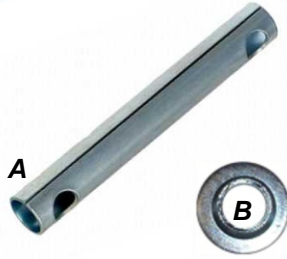
PUCH



Einsatzdichtung

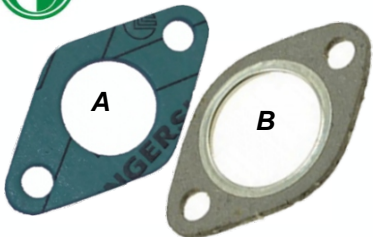
Art.-Nr. **96.DI 065.00** Ref VP sFr **4.40**

PUCH Maxi N + S



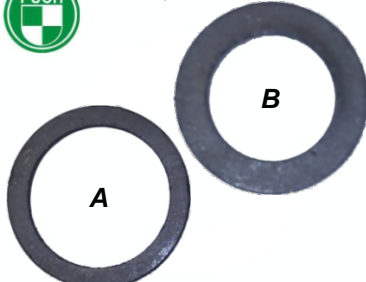
Art.-Nr. **85.5.3.1 A** Ref VP sFr **7.70**
85.5.4 B Ref VP sFr **2.20**

PUCH



Art.-Nr. **96.DI 035.00 A** Ref VP sFr **2.65**
96.DI 038.00 B Ref VP sFr **3.45**


PUCH Ø 34 / 22.5 x 2 mm



Mitteldichtung

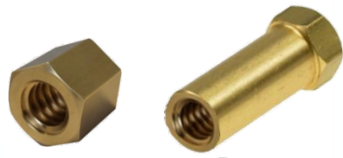
Art.-Nr. **96.DI 060.00 A** Ref VP sFr **3.15**
96.DI 064.00 B Ref VP sFr **3.05**

M7



Art.-Nr. **54.1351** Ref VP sFr **0.20**

PUCH **SACHS**



Art.-Nr. **96.VM 231.30 A** Ref VP sFr **1.80**
96.VM 231.60 B Ref VP sFr **2.30**

M6

PUCH **SACHS**

A=M6 x 27 mm
 B=M6 x 38 mm
 C=M6 x 31 mm




Art.-Nr. **96.NM 355.40 A** Ref VP sFr **1.45**
97.A8107 B Ref VP sFr **2.40**
97.A8106 C Ref VP sFr **3.40**

PUCH Maxi N



Art.-Nr. **85.4** Ref VP sFr **137.60**

PUCH Maxi S



Art.-Nr. **85.3 Original** Ref VP sFr **143.20**
85.3.0 Ø18 Ref VP sFr **77.15**
85.3.2 Ø28 Ref VP sFr **54.40**

PUCH X30 NS NL 2 Teilig



Ständeranschlag

Original

Art.-Nr. **96.VL 509.0023** Ref VP sFr **184.00**

Top Quality

PUCH X30 N NG 1 Teilig



Ständeranschlag

Oginal

Art.-Nr. **96.VL 566.0023** Ref VP sFr **176.00**

Top Quality



Mofa-Teile, Auspuffanlage + Teile

Pièces cyclomoteur, système d'échappement

85

PUCH X30



Art.-Nr. **96.HA 250.00** Ref VP sFr **5.20**

PUCH Supermaxi LG1 + LG2



Art.-Nr. **96.SM 512.0023** Ref VP sFr **360.00**
96.SM 512.0023.I Ref VP sFr **297.60**

PUCH Supermaxi LG1 + LG2



Art.-Nr. **85.3.3** Ref VP sFr **529.60**

PUCH Supermaxi LG1 + LG2



A=Ø22 mm 2 Teilig
B=Ø28 mm 1 Teilig

Imitation

Art.-Nr. **96.SM 512.0022.I A** Ref VP sFr **92.80**
96.SM 512.0028.I B Ref VP sFr **92.80**

EYE BIKE 30 km/h



Original

Art.-Nr. **92.720402** Ref VP sFr **291.20**

EYE BIKE 30 km/h



Imitation

Art.-Nr. **92.720404** Ref VP sFr **408.00**


EYE BIKE 45 km/h



Original

Art.-Nr. **92.720400** Ref VP sFr **319.20**

EYE BIKE 45 km/h



Imitation

Art.-Nr. **92.720401** Ref VP sFr **323.60**

EYE BIKE 45 km/h



Art.-Nr. **92.720407** Ref VP sFr **208.00**

EYE BIKE



Art.-Nr. **92.720019** km/h **30** Ref VP sFr **7.95**
92.720006 km/h **45** Ref VP sFr **4.35**

Solex 3800



Art.-Nr. **94.100500** Ref VP sFr **61.60**
94.100505 Ref VP sFr **3.80**

Solex 5000



Art.-Nr. **94.100550** Ref VP sFr **104.00**